

## TRANSPORT DIMENSIONS

Width – 8 ft.

Length – 30 ft.

Height – 9 ft.

Tongue Weight – 2,950 lbs.

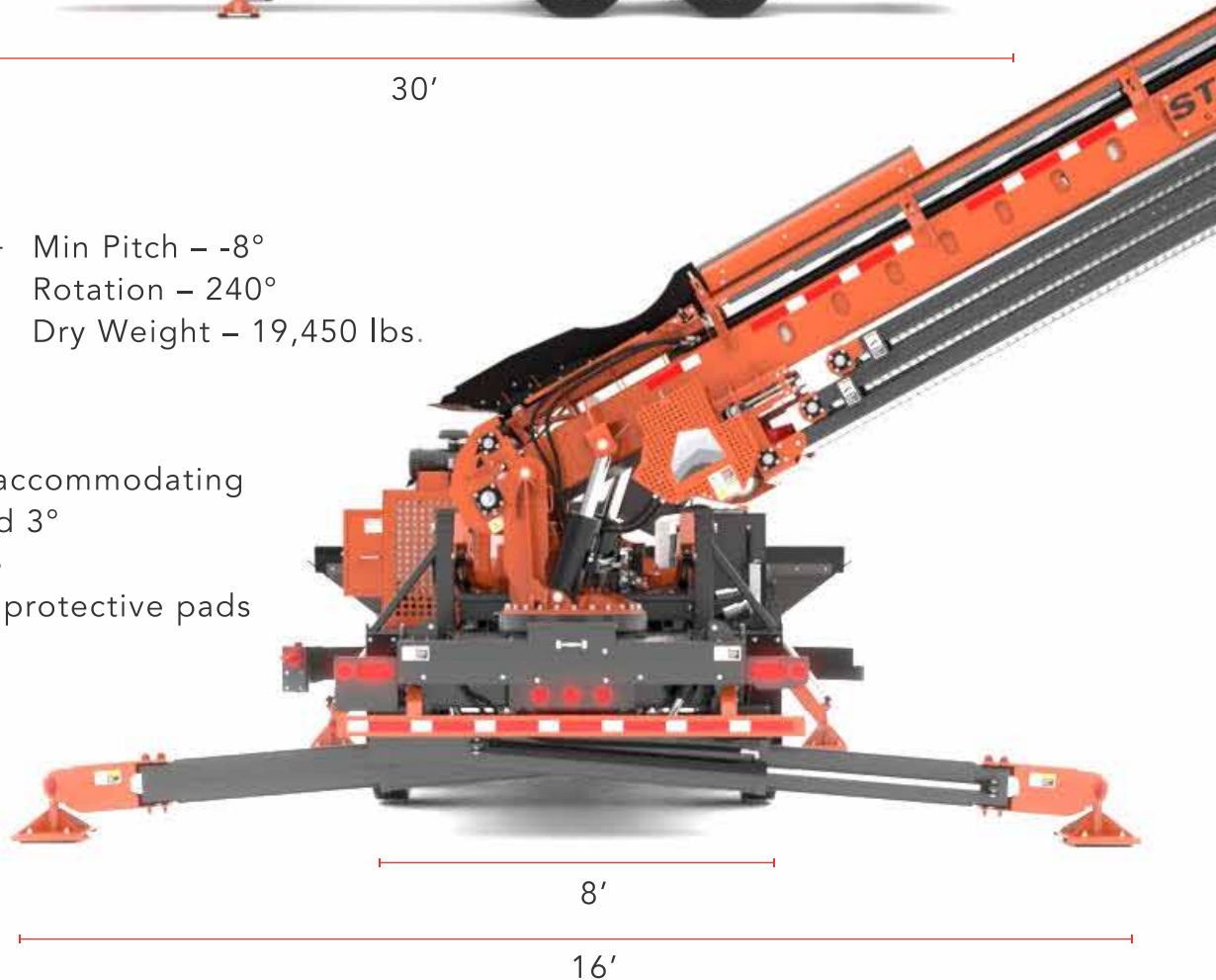


## OPERATING DIMENSIONS

Max Reach – 50 ft.+    Min Pitch – -8°  
Min Reach – 23 ft.    Rotation – 240°  
Max Pitch – 25°        Dry Weight – 19,450 lbs.

## OUTRIGGERS

- Hydraulic-driven, accommodating 5° parallel slope and 3° perpendicular slope
- Integrated rubber protective pads



Visit us online —  
[stoutconveyors.com](http://stoutconveyors.com)

Jon Fike, Manufacturing  
[jon@stoutconveyors.com](mailto:jon@stoutconveyors.com)  
970-729-1544

Nick Bardall, Sales  
[nick@stoutconveyors.com](mailto:nick@stoutconveyors.com)  
216-570-2788

## PRIMARY CONVEYOR

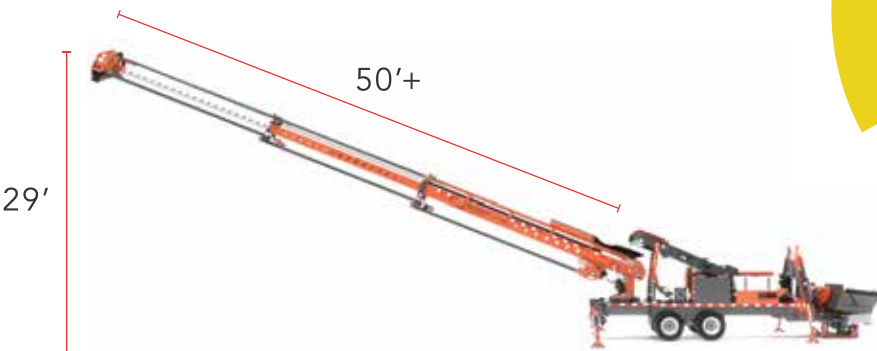
- 50'+ horizontal telescoping reach;
- additional 10-15' slinging distance
- 14" conveyor belt with vulcanized splice
- Tungsten Carbide belt scraper system for dependable belt cleaning
- Low operating height of 9'
- Belt rides on a troughing frame design with UHMW rails for reduced idler roller maintenance
- Maximum observed performance of 1.7y<sup>3</sup>/min or 100y<sup>3</sup>/hr
- Variable belt speed 0-100%

## FEED HOPPER

- Hopper is sized for dump trucks, skid steers, loaders, and more
- Hopper is able to accommodate 4" minus aggregate, dirt, topsoil, and concrete (up to 6" slump)
- Dual vibrators to keep material moving

## FEED CONVEYOR

- 18" feed belt with mechanical splice
- Simple single-hydraulic actuation to transition from transport mode to operating mode
- Variable belt speed 0-100%



## CHASSIS

- All-steel frame with expanded metal decking
- Full-access engine and control systems for ease of service
- Open and accessible routing for hydraulic and fuel hoses for ease of maintenance
- Electric over hydraulic braking system

## SYSTEM CONTROLS

- Remote control unit with proportional controls allowing for fine control
- Redundant manual controls available at operators station
- Independent variable speed control for feed and primary belts

## POWER

- Powered by a Tier 4 Perkins Diesel engine with Danfoss hydraulic system

